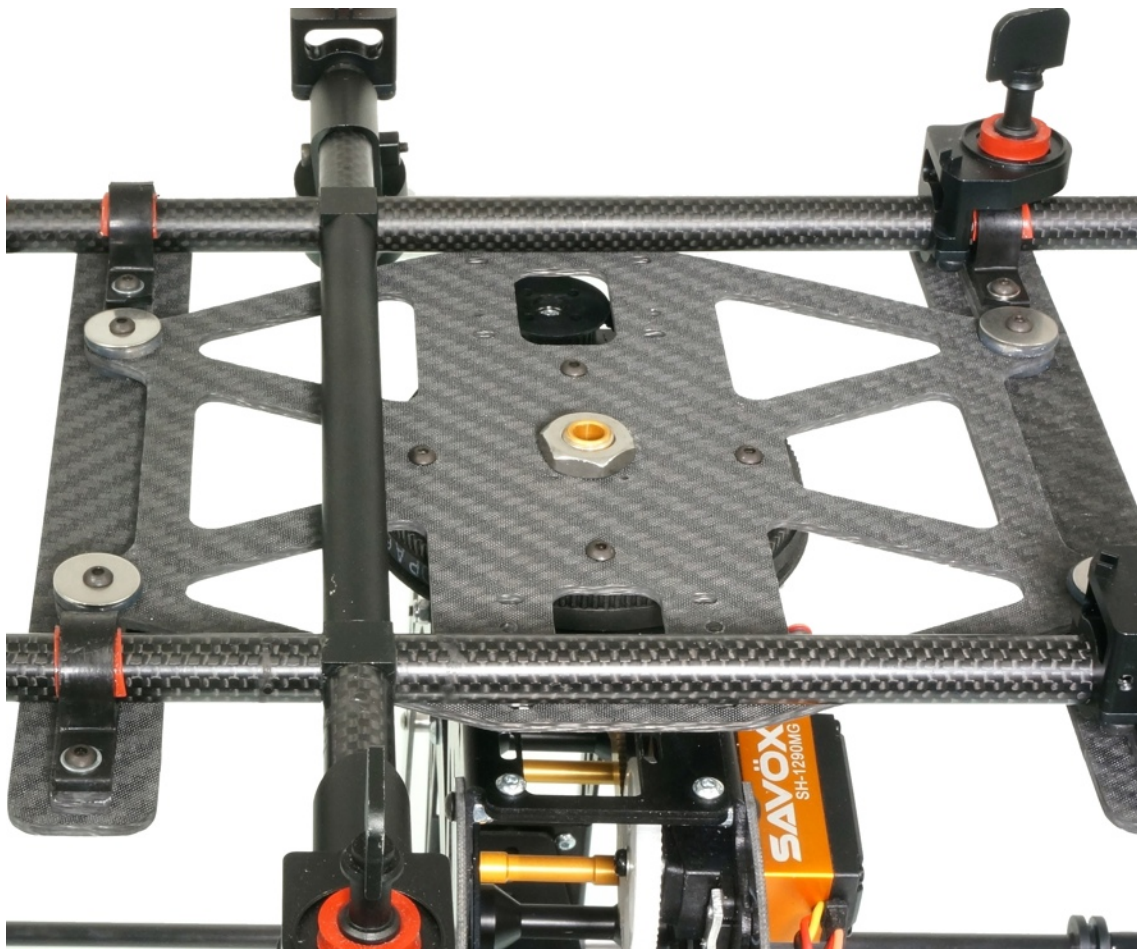


DJI S800 Photohigher Adaptor Kit

Made from 2.4mm carbon fiber with silicone gel vibration dampening

A strong and lightweight solution to allow attachment of the AV130 or AV200 camera gimbals to the DJI S800, with or without use of the 360 Pan Kit from Photohigher. We also have solutions for mounting batteries to the S800 subframe at www.precisiondigital.com.

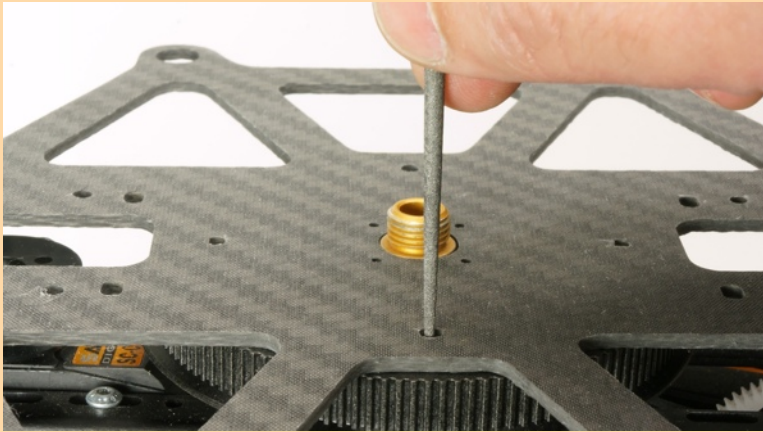


Scope of delivery:

- 1 - Adaptor Plate
- 2 - Crossmembers
- 8 - Spacer blocks
- 4 - 3mm black spacers
- 4 - Plastic clamps with adhesive rubber lining
- 4 - Silicone gel dampening bushings
- 12 - M3x16mm screws with nuts
- 4 - M3x12mm screws with nuts
- 4 - M3x8mm screws (for direct attachment)
- 4 - Large diameter washers
- 12 - Small washers



Designed and manufactured by Mark Dana, Precision Digital Imaging, using materials and equipment made in the USA.
For technical support email mdana11@comcast.net.

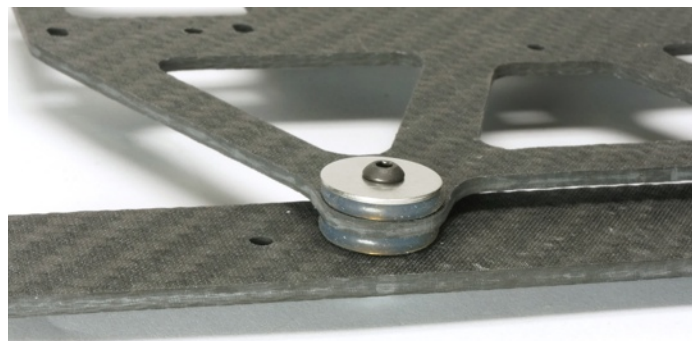


360 Pan Kit owners:

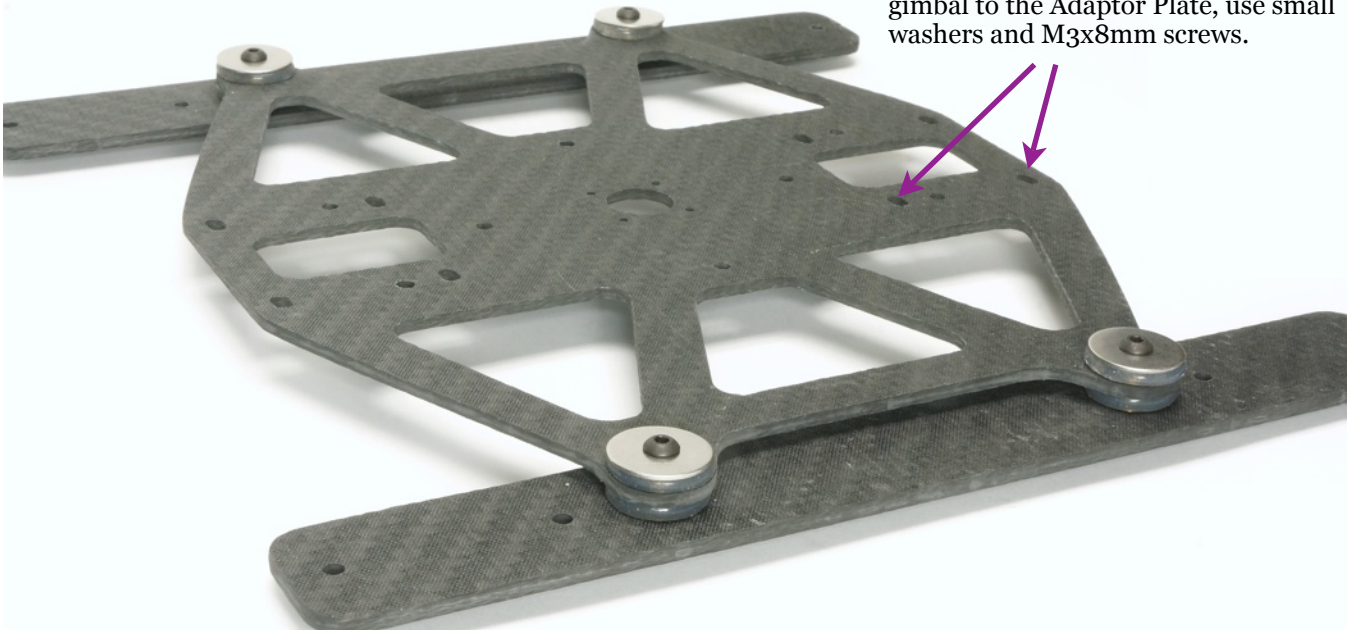
You will need to drill holes in your Photohigher top gear. With the adaptor in place, mark the hole locations. After the holes are drilled, place the 3mm spacers at the hole locations; a drop of fast drying glue helps keep them positioned.



Install the silicone gel dampeners, and mount the adaptor plate to the crossmembers. It is easiest if you mount the gimbal as the very last step.

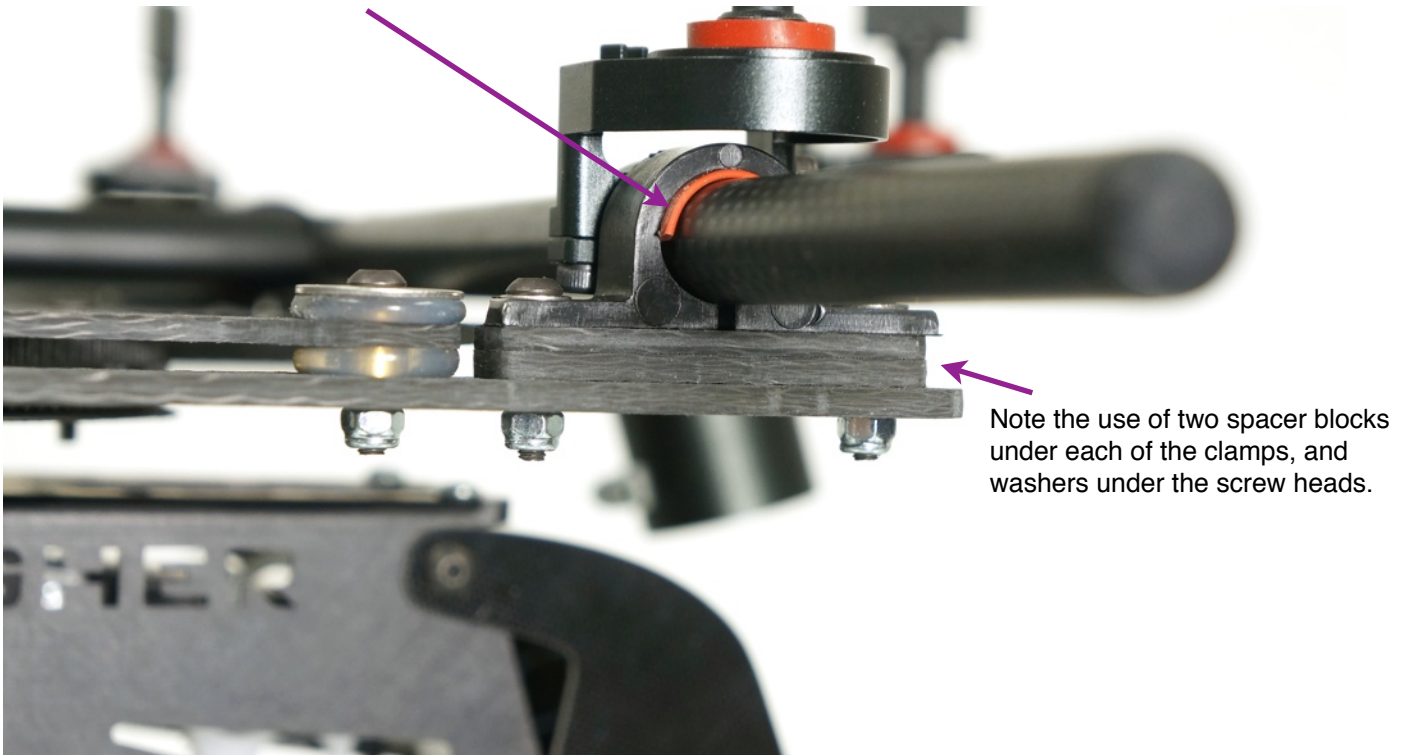


If you directly mount your Photohigher gimbal to the Adaptor Plate, use small washers and M3x8mm screws.



If your kit has red rubber .035 thick, cut each piece to .875 inch (22mm).

If your kit has black rubber .021 thick, then cut them to 1.25 inches (32mm).



Note the use of two spacer blocks under each of the clamps, and washers under the screw heads.